

UM-1

[7.8×3.1×8.0 mm]

UM-5

[7.8×3.1×6.0 mm]

Dip Type

Jacket Type

Fund.

21.4MHz

45.0MHz

2 poles

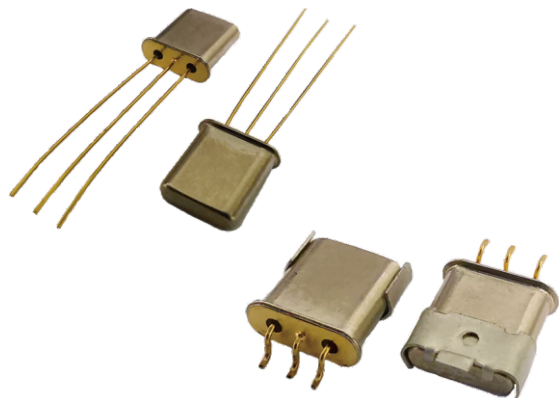
4 poles

6 poles

8 poles

Features

- Small size, light weight, UM-1 series, Dip type package size with 7.8×3.1×8.0 mm
- Wide frequency range from 10.7MHz to 45MHz
- Resistance solder sealing
- Low insertion loss
- RoHS Compliant
- Excellent guaranteed attenuation
- Applications: Radio communications, Wireless communications, Automotive electronics, Communications, Smart grid, etc.



Standard Specifications (21.4MHz)

Channel Spacing (KHz)	Model	No. of poles	Pass Bandwidth		Stop Bandwidth		Ripple	Insertion Loss	Guaranteed Attenuation		Terminating Impedance	Package	
			dB	KHz (min.)	dB	KHz (max.)	dB (max.)	dB (max.)	dB	KHz	ohms // pF	Tandem set	One package
12.5	21M7.5A	2	3	±3.75	20	±18	0.5	1.5	35	±300~±1000	850 // 6.0	UM-1, UM-5	
	21M7.5B	4	3	±3.75	40	±15	1.0	2.5	65	±300~±1000	850 // 5.0	a pair(UM-1, UM-5)	
	21M7.5C	6	3	±3.75	45	±8.75	2.0	3.0	65	±12.5~±300	850 // 5.0	3 pcs	S1
	21M7.5D	8	3	±3.75	65	±8.75	2.0	4.0	90	±12.5~±300	850 // 5.0	4 pcs	S2
20.0	21M12A	2	3	±6.0	20	±25	0.5	1.5	35	±300~±1000	1.2K // 3.0	UM-1, UM-5	
	21M12B	4	3	±6.0	40	±20	1.0	2.5	65	±300~±1000	1.2K // 2.5	a pair(UM-1, UM-5)	
	21M12C	6	3	±6.0	45	±15	2.0	3.0	65	±20~±300	1.2K // 2.5	3 pcs	S1
	21M12D	8	3	±6.0	65	±15	2.0	4.0	90	±20~±300	1.2K // 2.5	4 pcs	S2
25.0	21M15A	2	3	±7.5	18	±25	0.5	1.5	35	±300~±1000	1.5K // 2.0	UM-1, UM-5	
	21M15B	4	3	±7.5	40	±25	1.0	2.5	55	±300~±1000	1.5K // 2.0	a pair(UM-1, UM-5)	
	21M15C	6	3	±7.5	45	±18	2.0	3.0	65	±25~±300	1.5K // 2.0	3 pcs	S1
	21M15D	8	3	±7.5	65	±18	2.0	4.0	90	±25~±300	1.5K // 2.0	4 pcs	S2
50.0	21M30A	2	3	±15	15	±45	0.5	1.5	30	±300~±1000	1.5K // 1.0	UM-1, UM-5	
	21M30B	4	3	±15	40	±50	1.0	2.5	30	±300~±1000	2.2K // 0.5	a pair(UM-1, UM-5)	
	21M30C	6	3	±15	45	±35	2.0	3.0	65	±45~±300	2.2K // 0.5	3 pcs	S1
	21M30D	8	3	±15	65	±35	2.0	4.0	90	±50~±300	2.2K // 0.5	4 pcs	S2

Standard Specifications (45.0MHz)

Channel Spacing (KHz)	Model	No. of poles	Pass Bandwidth		Stop Bandwidth		Ripple	Insertion Loss	Guaranteed Attenuation		Terminating Impedance	Package	
			dB	KHz (min.)	dB	KHz (max.)	dB (max.)	dB (max.)	dB	KHz	ohms // pF	Tandem set	One package
12.5	45M7.5A	2	3	±3.75	10	±12.5	1.0	2.0	65	±300~±1000	200 // 4.0	UM-1, UM-5	
	45M7.5B	4	3	±3.75	30	±12.5	1.0	4.0	80	±300~±1000	650 // 6.5	a pair(UM-1, UM-5)	
25.0	45M15A	2	3	±7.5	15	±25	1.0	2.0	35	±300~±1000	650 // 3.0	3 pcs	S1
	45M15B	4	3	±7.5	30	±25	1.0	3.0	80	±300~±1000	650 // 3.0	4 pcs	S2
50.0	45M30A	2	3	±15	15	±60	1.5	2.5	35	±300~±1000	1.2K // 0	UM-1, UM-5	
	45M30B	4	3	±15	30	±50	1.0	3.0	80	±300~±1000	1.2K // 0.7	a pair(UM-1, UM-5)	

UM-1

[7.8×3.1×8.0 mm]

UM-5

[7.8×3.1×6.0 mm]

Dip Type

Jacket Type

Fund.

21.4MHz

45.0MHz

2 poles

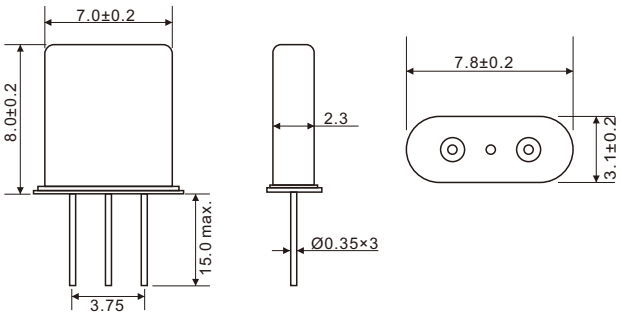
4 poles

6 poles

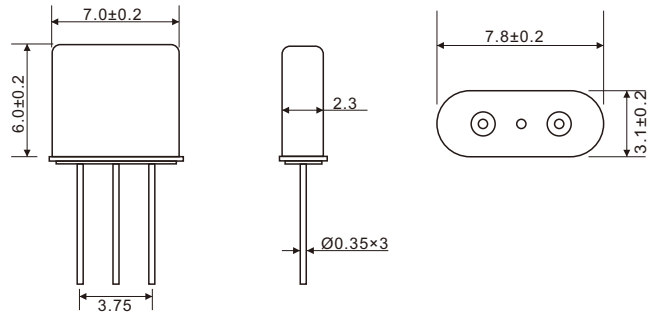
8 poles

Part Number Format and Example

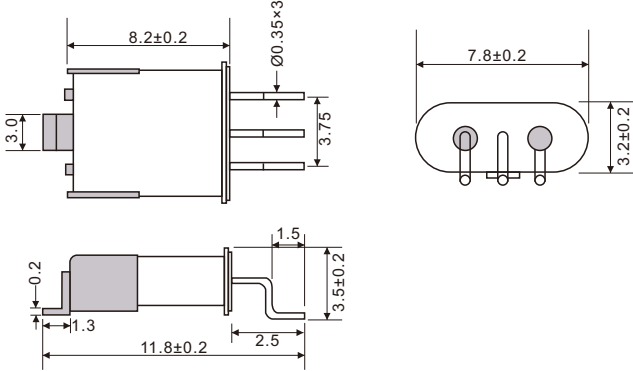
UM-1



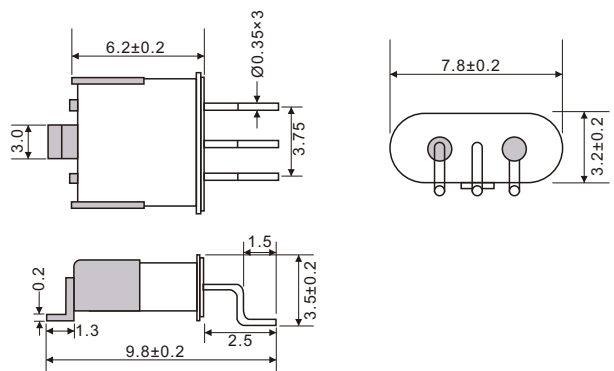
UM-5



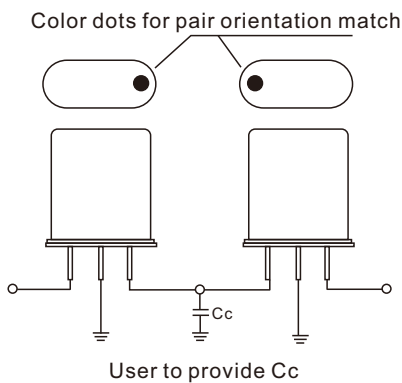
UM-1MJ



UM-5MJ



4 pole M.C.F. (Paired packages)



(S-1), (S-2)

