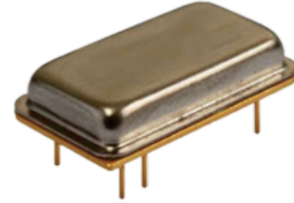


**SMD / DIP Type**
**IF SAW Filters**
**Multi-Size**
**Multi-Spec**
**Low Insetion Loss**
**Frequency Range**
**70MHz~140MHz**

### Features

- Low-loss SAW component
- Low amplitude ripple
- Electrostatic Sensitive Device (ESD)
- Low insertion loss
- RoHS Compliant
- Multiple specification and multi-size
- Frequencies from 70MHz to 140MHz
- Applications: GPS, Test equipment, Wireless communications, Pager, STB, WLL, Digital TV, WiFi, Base station, and etc.



### Standard Specifications

Part Number	Center Frequency (MHz)	Pass Bandwidth (MHz)	Insertion Loss (dB) max.	Package Code
SF0175	70.0	0.10	12.0	QCC12
SF0272	70.0	0.20	13.0	QCC12
SF0141	70.0	0.22	20.0	DIP3512J
SF0220	70.0	0.22	19.0	DIP3616JB
SF0195	70.0	0.21	12.0	DIO3616J
SF0271	70.0	0.50	7.0	DIP2212J
SF0169	70.0	0.7	5.0	DIP2212J
SF0270	70.0	0.7	7.0	DIP2212J
SF0316	70.0	0.7	7.0	QCC12
SF0189	70.0	0.8	3.0	DIP2212J
SF0154	70.0	1.0	26.0	DIP3512J
SF0177	70.0	1.2	13.5	QCC12
SF0182	70.0	1.0	9.0	DIP2712J
SF0261	70.0	1.8	28	DIP3512J
SF0344	70.0	1.0	12	SMD19
SF0345	70.0	2.0	12.0	SMD19
SF0346	70.0	3.5	8.0	QCC12
SF0347	70.0	5.0	10.0	QCC12
SF0348	70.0	10.0	10.0	QCC12
SF0349	70.0	20.0	12.0	QCC12
SF0269	70.0	1.50	10.0	QCC12
SF0113	70.0	2.0	28.0	DIP2212J
SF0116	70.0	2.5	20.0	DIP2712J
SF0155	70.0	3.0	25.0	DIP3512J
SF0268	70.0	3.3	7.0	QCC12
SF0229	70.0	4	12.0	DIP2212J



# SAW Filters (声表面波滤波器)

SMD / DIP Type

IF SAW Filters

Multi-Size

Multi-Spec

Low Insetion Loss

Frequency Range

70MHz~140MHz

## Standard Specifications

Part Number	Center Frequency (MHz)	Pass Bandwidth (MHz)	Insertion Loss (dB) max.	Package Code
SF0158	70.0	4.4	20.0	DIP2212J
SF0262	70.0	4.7	20.0	DIP2212J
SF0297	70.0	5.0	20.0	DIP3512J
SF0156	70.0	6.0	25.0	DIP3512J
SF0117	70.0	6.5	18.0	DIP2712J
SF0145	70.0	6.0	25.0	DIP3512J
SF0267	70.0	6.0	10.0	QCC12
SF0166	70.0	7.0	22.0	DIP2712J
SF0294	70.0	6.20	12.0	QCC12
SF0298	70.0	7.0	22.0	QCC12
SF0152	70.0	9.80	23.0	DIP2212J
SF0258	70.0	10.0	25.0	DIP2212J
SF0263	70.0	9.8	25.0	DIP2212J
SF0118	70.0	13.0	18.5	DIP2212J
SF0244	70.0	12.0	21.0	DIP2212J
SF0300	70.0	12.0	12.0	DIP2212J
SF0157	70.0	15.0	24.0	DIP2712J
SF0103	70.0	16.3	25.0	DIP2217J
SF0112	70.0	16.0	26.0	DIP2712J
SF0325	70.0	18.0	26.5	DIP2212J
SF0165	70.0	18.0	33.0	DIP3512J
SF0337	70.0	16.4	16.0	QCC12
SF0153	70.0	19.0	28.0	DIP2212J
SF0264	70.0	19.0	28.0	DIP2212J
SF0226	70.0	20.0	31.0	DIP3512J
SF0309	70.0	20.0	33.0	DIP3512J
SF0320	70.0	20.0	15.0	QCC12
SF0334	70.0	20.0	30.0	DIP3512J
SF0167	70.0	24.0	33.0	DIP3512J
SF0196	70.0	24.0	34.0	DIP3512J
SF0265	70.0	25.0	35.0	DIP3512J
SF0171	70.0	30.0	25.0	DIP2212J
SF0203	70.0	38.0	20.0	QCC12
SF0305	70.0	37.0	20.0	QCC12
SF0359	70.0	37.0	22.0	QCC12
SF0307	70.0	36.0	21.0	QCC12



# SAW Filters (声表面波滤波器)

SMD / DIP Type

IF SAW Filters

Multi-Size

Multi-Spec

Low Insetion Loss

Frequency Range

70MHz~140MHz

## Standard Specifications

Part Number	Center Frequency (MHz)	Pass Bandwidth (MHz)	Insertion Loss (dB) max.	Package Code
SF0222	90.0	7.0	8.0	DIP2212J
SF0281	90.0	12.0	29.0	DIP3512J
SF0199	90.0	22.0	35.0	DIP3512J
SF0287	90.0	22.0	35.0	DIP3512J
SF1270	100.0	0.10	5.0	QCC12
SF1131	100.0	3.50	5.0	QCC12
SF1269	100.0	1.0	4.0	DIP2212J
SF1153	100.0	28.0	22.0	DIP2212J
SF1134	120.0	0.05	4.5	SC04-01
SF1154	120.0	4.0	5.0	QCC8C
SF1160	120.0	6.0	28.0	DIP2212J
SF1274	120.0	7.0	3.0	QCC8C
SF1174	140.0	0.16	15.0	DIP3512J
SF1117	140.0	1.0	29.0	DIP1510
SF1175	140.0	1.0	29.0	DIP1510J
SF1130	140.0	2.0	25.0	DIP1510J
SF1182	140.0	4.0	3.0	QCC12
SF1193	140.0	4.0	23.0	DIP2712J
SF1197	140.0	7.0	29.0	DIP3512J
SF1123	140.0	7.0	20.5	DIP1510J
SF1227	140.0	7.5	22.0	DIP2212J
SF1191	140.0	10.0	23.0	DIP2712J
SF1243	140.0	10.0	24.0	DIP3512J
SF1166	140.0	15.0	25.0	QCC12
SF1192	140.0	15.0	25.0	DIP2712J
SF1187	140.0	18.0	31.0	DIP3512J
SF1209	140.0	20.0	30.0	DIP2712J
SF1222	140.0	20.0	28.0	DIP2712J
SF1139	140.0	24.0	25.0	DIP1510J
SF1188	140.0	24.0	32.0	DIP3512J
SF1151	140.0	24.0	23.0	DIP2212J
SF1202	140.0	25.0	31.0	DIP3512J
SF1109	140.0	4.0	24.0	DIP1510J

SMD / DIP Type

IF SAW Filters

Multi-Size

Multi-Spec

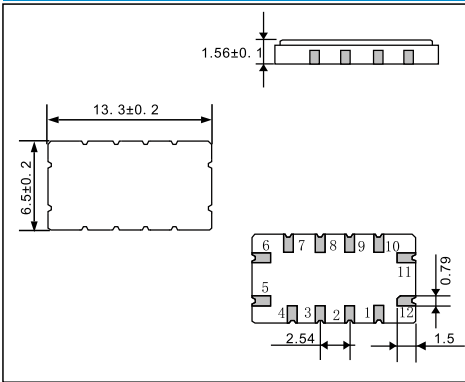
Low Insetion Loss

Frequency Range

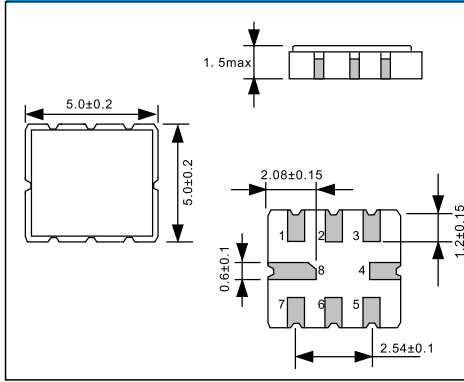
70MHz~140MHz

Standard Specifications

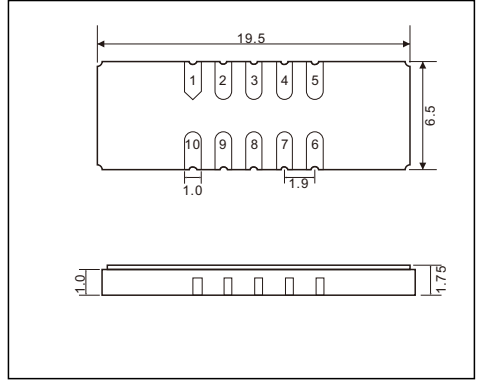
QCC12



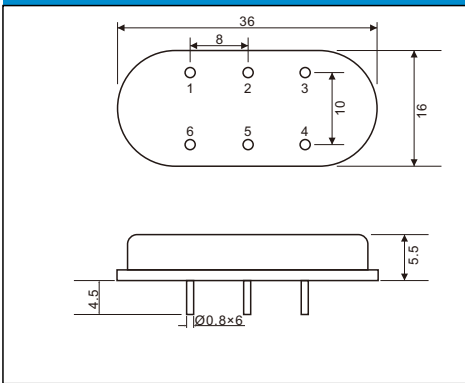
QCC8C



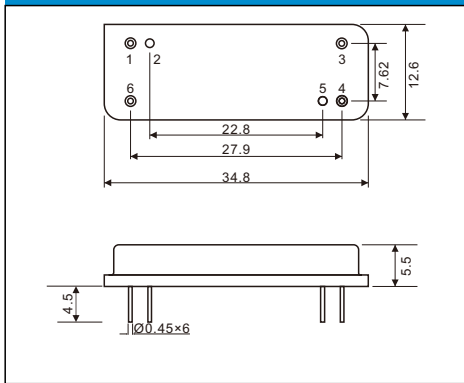
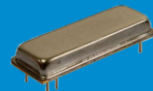
SMD19



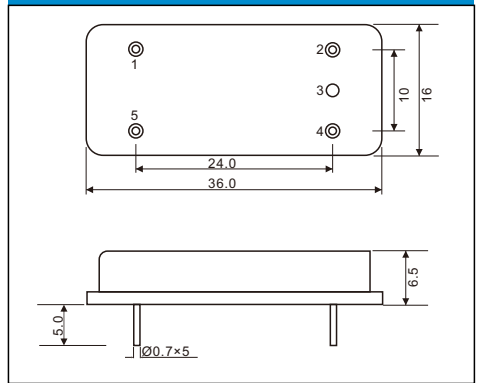
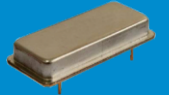
DIP3616JB



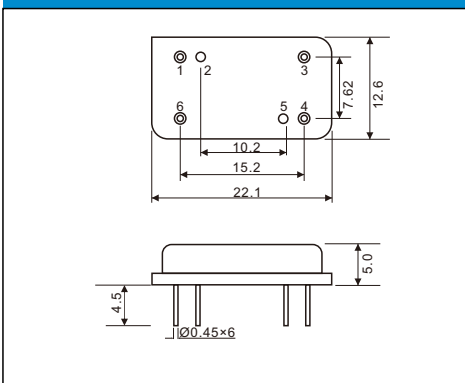
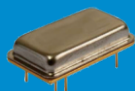
DIP3512J



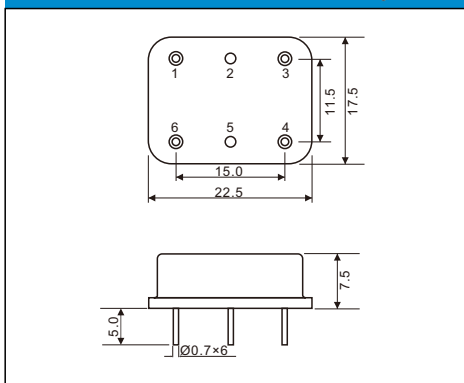
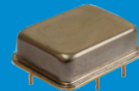
DIP3616J



DIP2212J



DIP2217J



DIP1510J

