

**7I**

[ 5.0×3.2×0.90 mm ]

**6I**

[ 5.0×3.2×1.20 mm ]

**Surface Mount Crystals**

7I, 6I

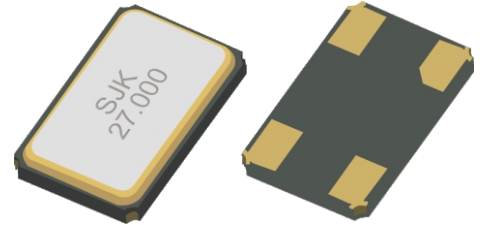
**Fundamental /3rd**

Frequency Range

**8MHz~125MHz**

## Features

- Small size SMD crystal units with 5.0×3.2 (5032), glass sealed / seam sealed package.
- The entire package can be grounded via the top metal lid and the two bottom pads
- The tight tolerance and tight stability crystal is ideal for communications.
- The crystal package will withstand solder reflow.
- Applications: Telecommunication, PC and peripherals, Radio communications, Smart grid, Factory automation, etc.



## Standard Specifications

Item / Type	<b>7I</b> (5.0×3.2×0.90 mm)	<b>6I</b> (5.0×3.2×1.20 mm)
Frequency Range	8~125 MHz(Fund. /3rd)	8~54 MHz(Fund.)
Load Capacitance	10pF~32pF, or specify	
Drive Level	10 μW typical (200 μW max.)	
Frequency Tolerance (at 25°C)	± 10ppm, ±20ppm or ±30ppm (max.)	
Aging	±3ppm / Year (max.)	
Storage Temperature Range	-55°C~+125°C	

## ESR (Equivalent Series Resistance)

<b>7I</b> (5.0×3.2×0.90 mm)		<b>6I</b> (5.0×3.2×1.20 mm)	
Frequency Range	E.S.R	Frequency Range	E.S.R
8~12 MHz	80 Ω max.	8~12 MHz	80 Ω max.
12~45 MHz	50 Ω max.	12~54 MHz	50 Ω max.
45~125 MHz	100 Ω max.		

## Frequency stability Vs Operating temperature range

Temp. (°C)	ppm					
	±5	±10	±15	±20	±25	±30
-10~+60	▲	○	○	○	○	○
-20~+70	×	○	○	○	○	○
-40~+85	×	×	○	○	○	○

▲: Conditional  
○: Available  
×: Not available

**7I**

[ 5.0×3.2×0.90 mm ]

**6I**

[ 5.0×3.2×1.20 mm ]

**Surface Mount Crystals**

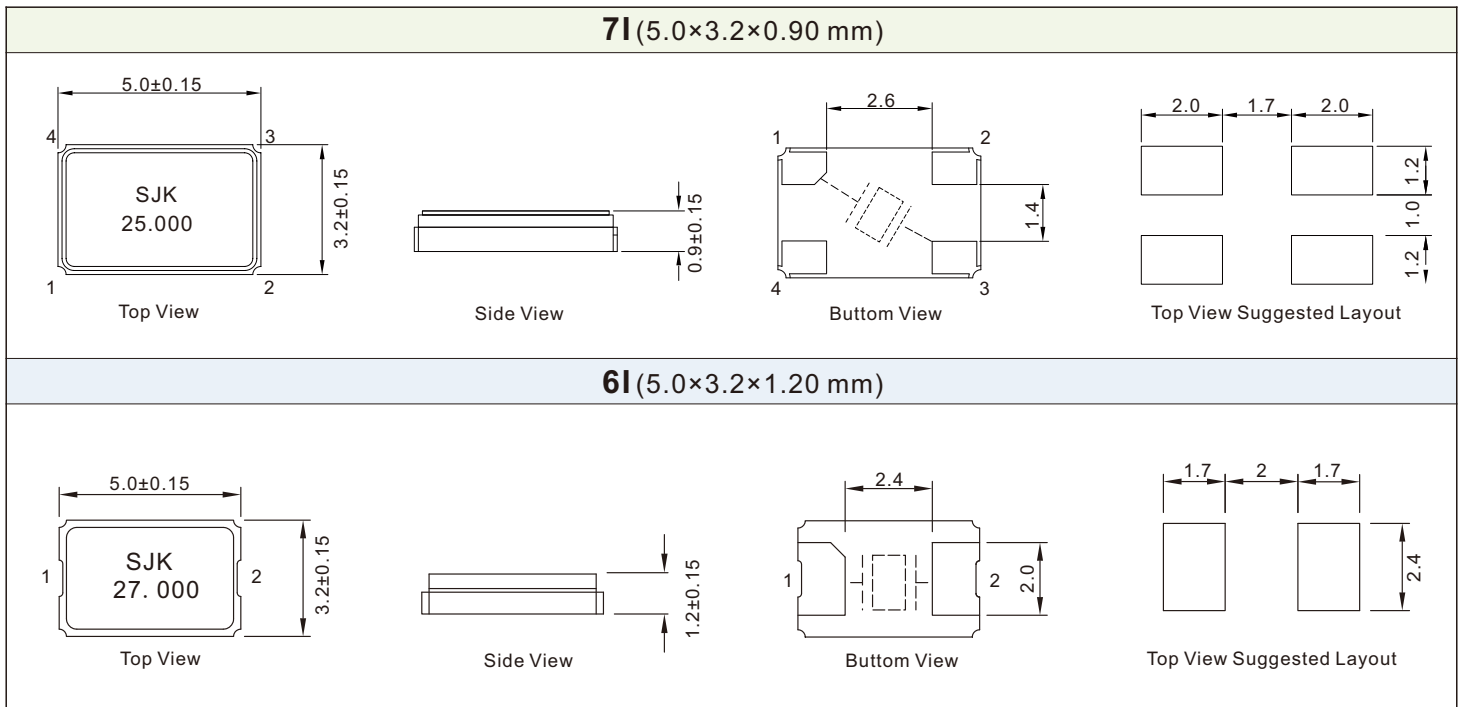
7I, 6I

**Fundamental /3rd**

Frequency Range

**8MHz~125MHz**

**Outline Dimensions (Unit: mm)**



\* 6I series is glass sealed surface mount package