

QUARTZ CRYSTAL



SERIES 7M, SMD FOR TUNING FORK 7x1.5MM

FEATURE

- Most appropriate for high-density circuit board by the small surface mount type
- Embedded with heat resistant cylinder type crystal bring highly stable characteristics
- Suitable for small mobile telecommunications devices

APPLICATIONS

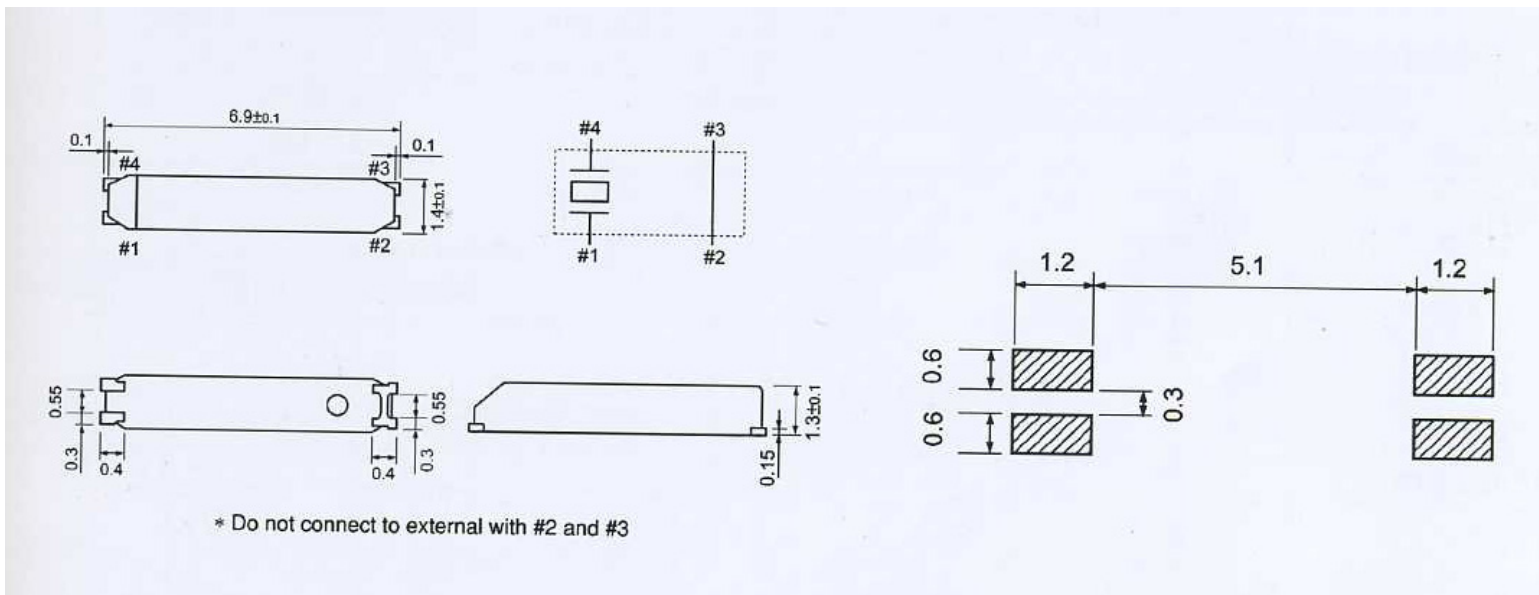
- Microprocessor Systems
- Consumer Electronics

ELECTRICAL SPECIFICATIONS

Nominal Frequency	32.768KHz
Frequency Tolerance (at 25°C)	±20ppm or specify
Turnover Temperature	25 ± 5°C
Frequency Temperature Curve	-0.034(±0.006)ppm/°C ²
Storage Temperature Range	-55 °C to +125 °C
Operable Temperature Range	-40 °C to + 85 °C
Shunt Capacitance (C ₀)	1.2pF Typ
Motional(series)resistance	30~50kohm Max
Driver Level (Typical)	1 μW Max
Load Capacitance(C _L)	12.5pF
Aging @25°C 1 st year (Max)	±3ppm/year

REMARK: SPECIFICATIONS SUBJECT TO CHANGE WITHOUT PRIOR NOTICE. PLEASE CONFIRM WITH OUR SALES ENGINEER.

PACKING AND DIMENSIONS



PART NUMBER SYSTEM

